

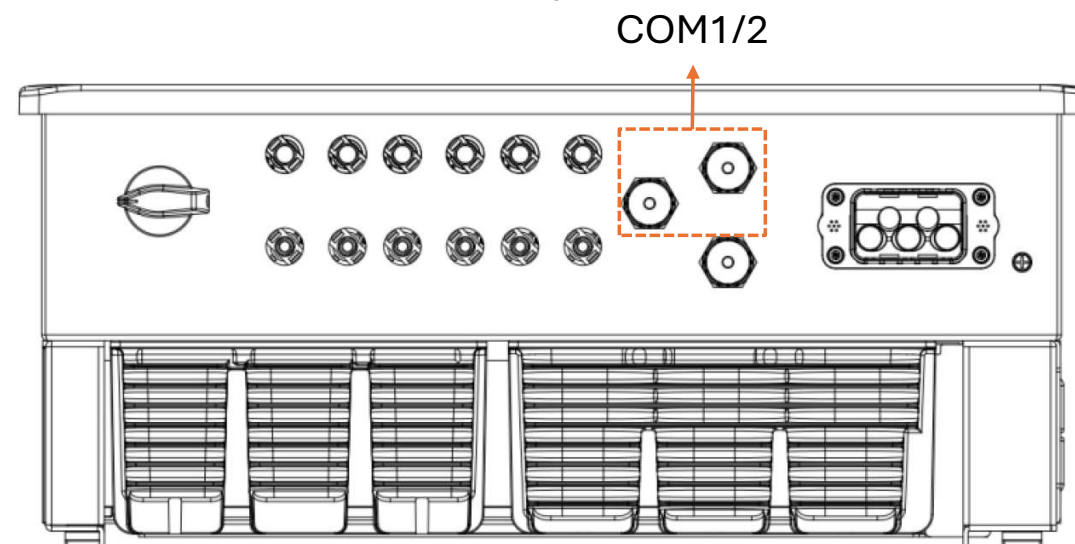
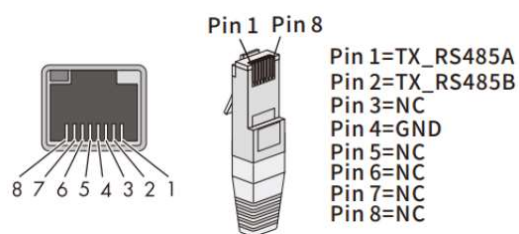


Important info / commonly found errors

- **If using Ai-logger ALL dongles needs to be removed from inverters. As they will try to be master unit on RS485 line.**
- Ensure correct daisy chain wiring between inverters. Double check dip switches (varies depending on inverter model)
- For the small inverter models, we recommend using at least Cat 5E cable for RS485 communication between units
- For the large inverter models, we recommend using 2x0.75 LIYCY shielded cable for RS485 communication between units

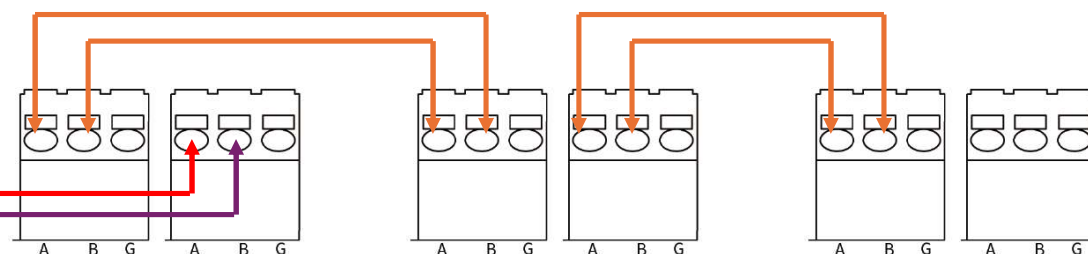
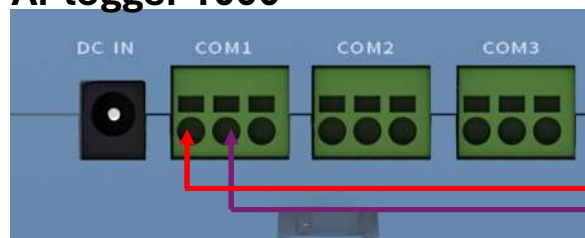
Connection to ASW25-40K-LT-G3

- The COM1/2 ports are used for the RS485 communication (Modbus RTU).
- Both ports have RJ45 connectors.
- COM1 is used as an input
- COM2 is used as an output
- If a smart meter is to be installed, this is done in the final inverter via the COM2 port.
- The pin configuration is as follows:



Connection to ASW45-60K-LT-G3

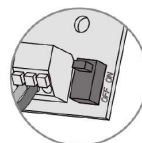
Ai-logger 1000



Master

Slave 1

Slave X



ON



OFF



ON

- The pin configuration is as follows:

- Pin A = RS485A
- Pin B = RS485B
- Pin G = Ground

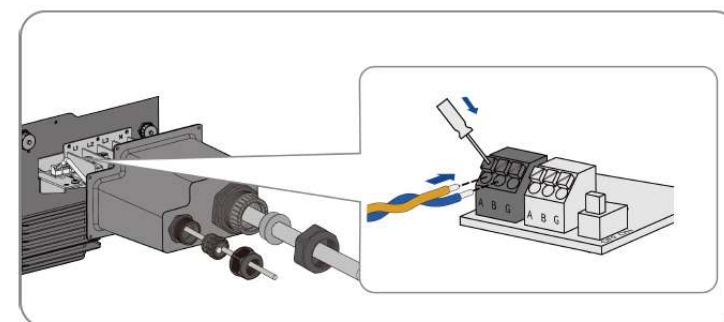
- **Please note the DIP switches.**

If single inverter:

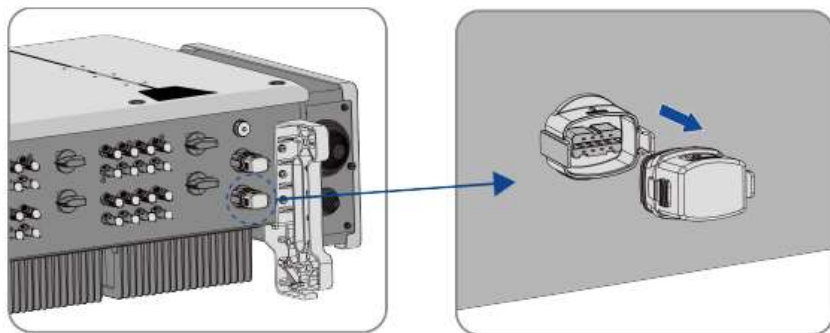
Must be set to "OFF"

If multiple inverters:

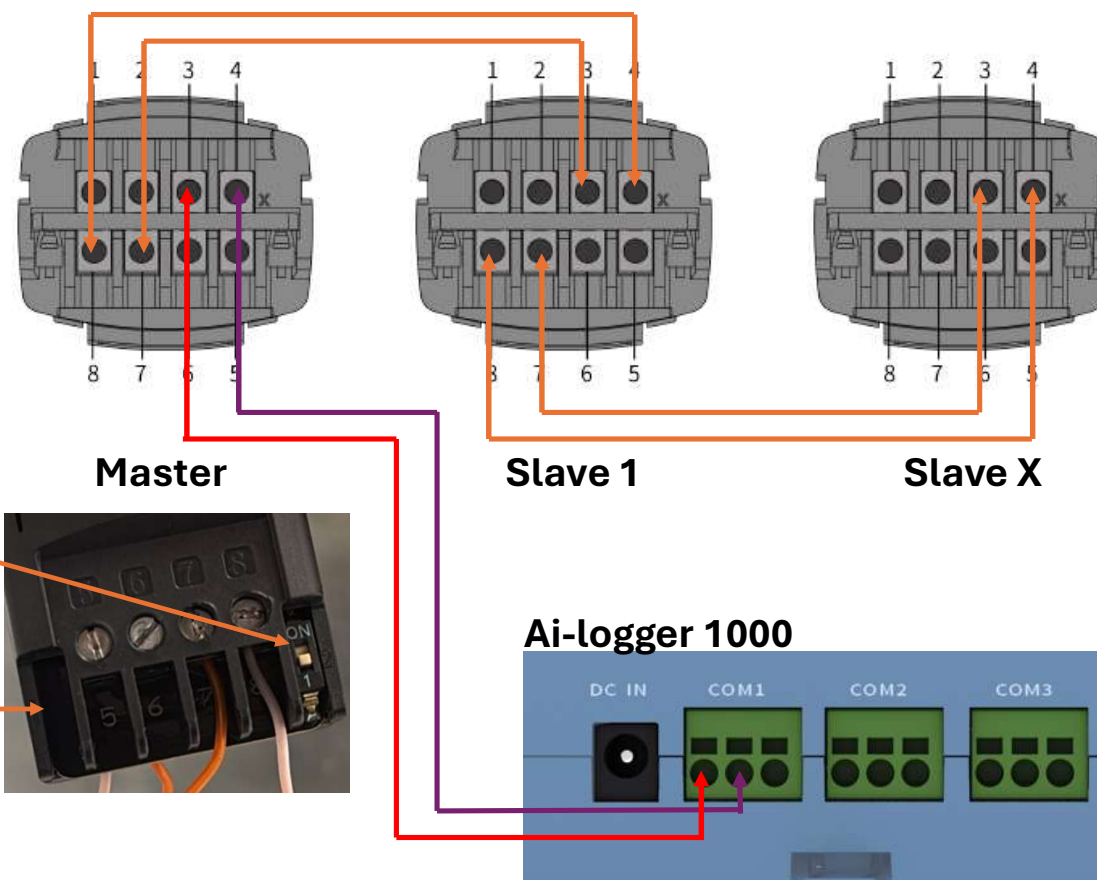
The first and last inverters in the row must be set to "ON"; all others must be set to "OFF"



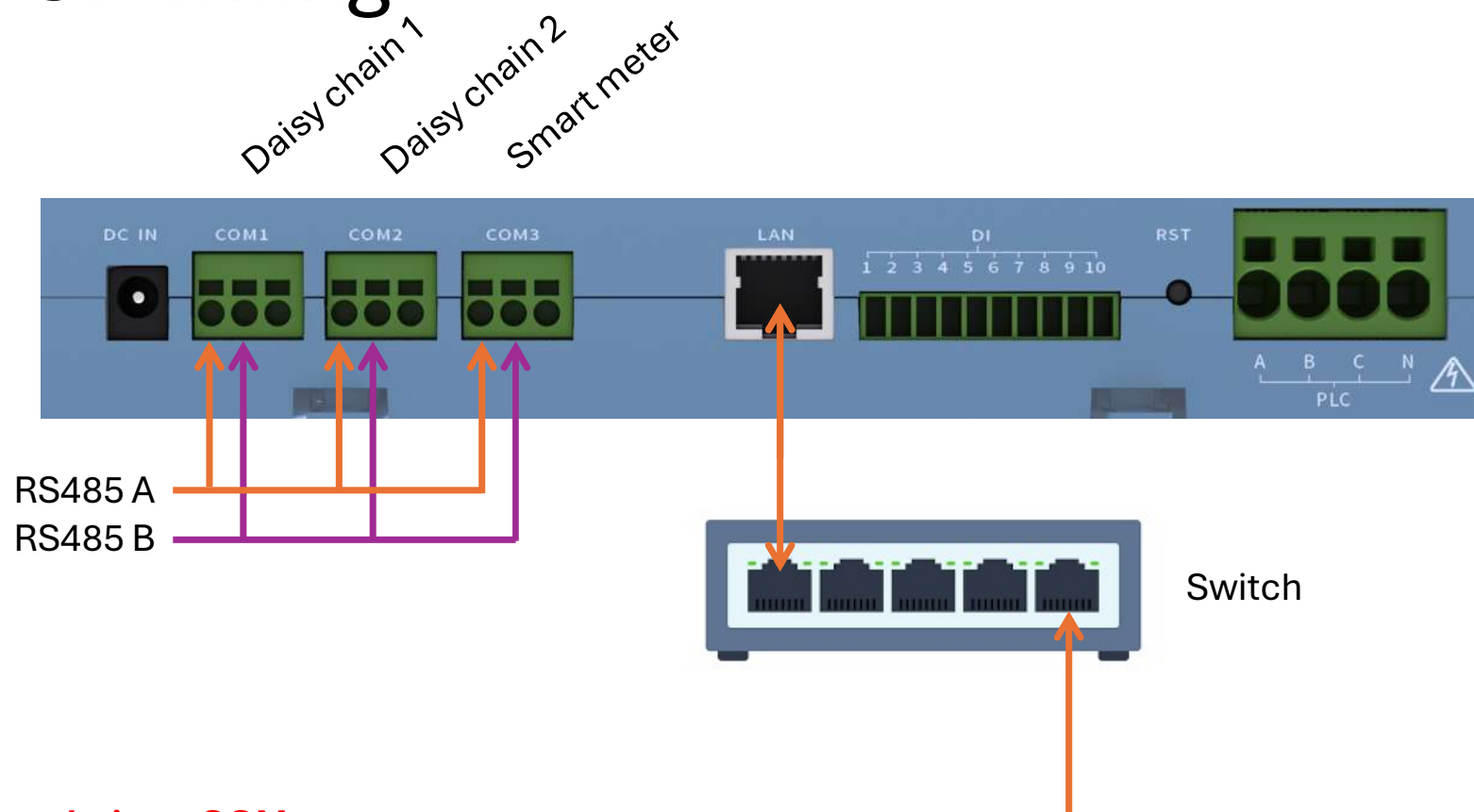
Connection to ASW80-110K-LT



- The pin configuration is as follows:
- Pin 3 = RS485A Pin 7 = RS485A
- Pin 4 = RS485B Pin 8 = RS485B
- **Please note the DIP switches. The first and last inverters in the string must be set to "ON"; all others must be set to "1/OFF"**
- **If a single inverter the DIP switch must be set to "1/OFF"**
- Our inverter may come with a connector featuring two DIP switches. The settings on the DIP switches must be the same on both. The extra one will be here.
- Our communication connector may have 2 or 4 pins. The installation is the same regardless of which one is supplied. Please note that the connector supplied **MUST** be used on the inverter in question.



Modbus TCP wiring




Max. 30 inverters in daisy chain pr COM port.
Mixing product series is not possible in daisy chain
If using a smart meter it should be connected in COM3

Modbus TCP – 3rd party device
Requires min. 008R firmware

Ai-logger WIFI Hotspot

- SSID: Serial number of Ai-loggger - starts with BC509xx
- Password: Registration code of Ai-logger
- If using WIFI Hotspot web interface default address is
 - <http://192.168.10.1>
- Always choose Senior user
- Default password is 12345



The screenshot shows the login page for AiLogger. The background is a gradient of purple and blue. The text "AiLogger" is centered at the top. Below it are three white input fields: a dropdown menu with "English" selected, a dropdown menu with "Senior user" selected, and a text input field with "Password" as a placeholder. At the bottom, there is a red button with the text "Log in!" in white.

Ai-logger LAN connection

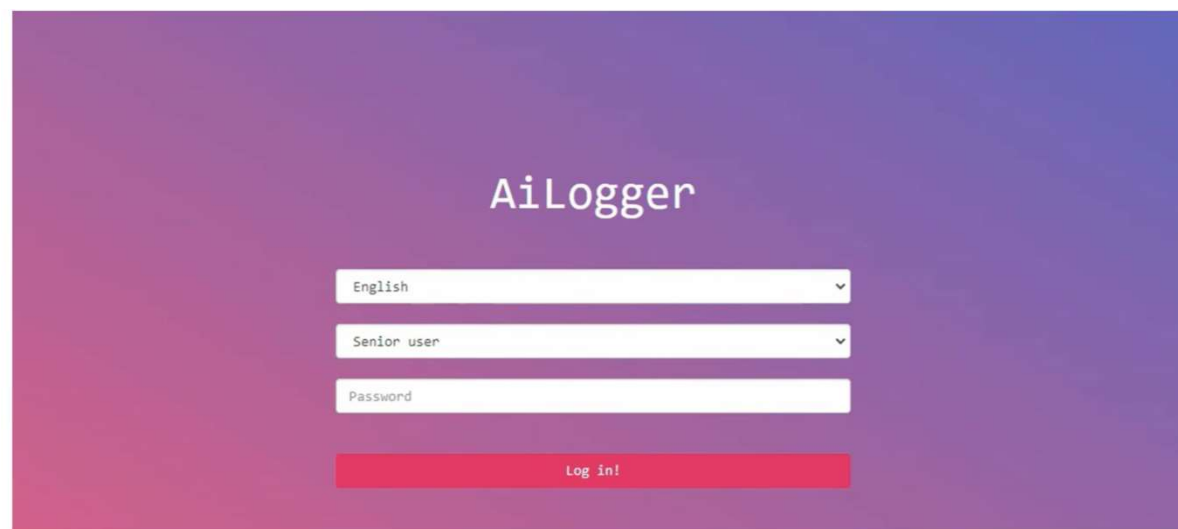
Ai-logger web interface:

- <http://ailogger-LastThreeDigitsSerialNumbersOfAilogger.local>

Or

- <http://ailogger-013.local/>

- Always choose Senior user
- Default password is 12345



The screenshot shows the AiLogger web interface login page. The background is a gradient of purple and blue. The title "AiLogger" is centered at the top. Below the title are three input fields: a language dropdown menu set to "English", a user dropdown menu set to "Senior user", and a password input field. At the bottom, there is a red "Log in!" button.

Important steps for Modbus TCP

1. Update firmware to at least 008R and acquire Ai-logger Modbus TCP file
Please contact service.dk@solplanet.net for the firmware and modbus file.
2. Both PC and Ai-logger should be connected by LAN to switch
3. Set network static ip adress and port in webinterface
4. You can now configure your modbus setup

Connecting Ai-logger to Solplanet cloud

If you receive an error when trying to use the Solplanet app to create a plant for the Ai-logger, the logger is most likely bound to our Asian server and needs to be migrated our European server.

Please contact service.dk@solplanet.net for help.